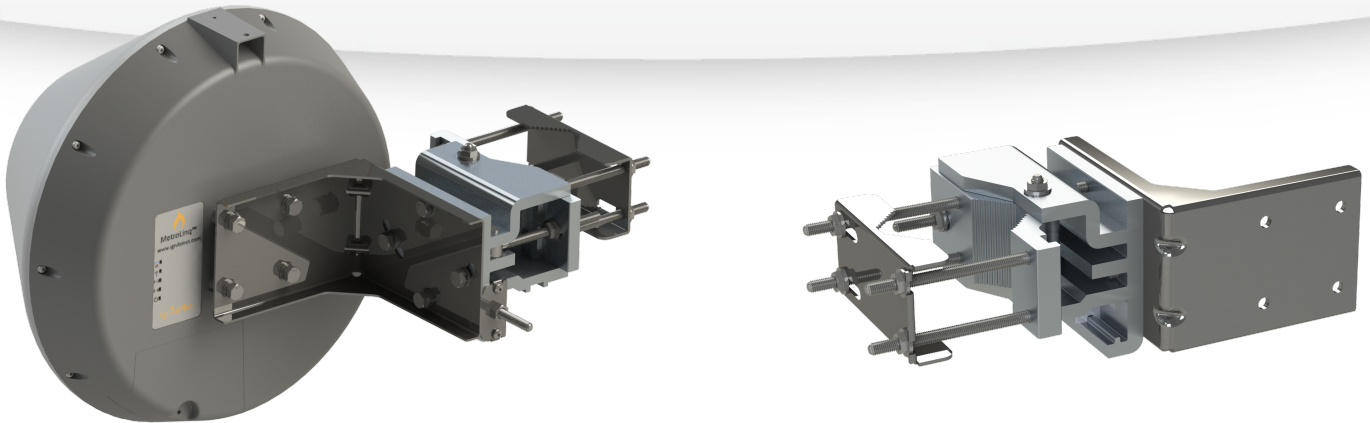




MetroLinq™ Long Range Precision Bracket

The Perfect Accessory for Long Range Links



Product Overview

The MetroLinq™ long range bracket is a precision tool designed to give ultimate accuracy and stability for the links that maximize the distance of the MetroLinq™ radio. With the offset design you can install maximize the number of units on your tower. Accuracy paired with a rugged design will allow for deployments in the harshest of environments.

Technical Information

Mechanical

Mount	Pole Mount 45mm - 100mm
Aiming Range	Vertical +/- 12deg Horizontal +/- 15deg
Wind Survivability	125mph (201kph)
Size and Weight	TBD

Ordering Information

Part Number	Description
ICC-BRACKET-LR	Ignitenet™ Accessory, MetroLinq™ Bracket, Long Range Precision

Contact



Worldwide

20 Mason
Irvine, CA 92618
USA
sales@ignitenet.com

Asia

No. 1 Creation Road III,
Hsinchu Science Park,
30077, Taiwan, R.O.C.
sales@ignitenet.com

Fire Up Your Network™ ...

Enterprise Wireless | Broadband Wireless | Fiber

www.ignitenet.com